



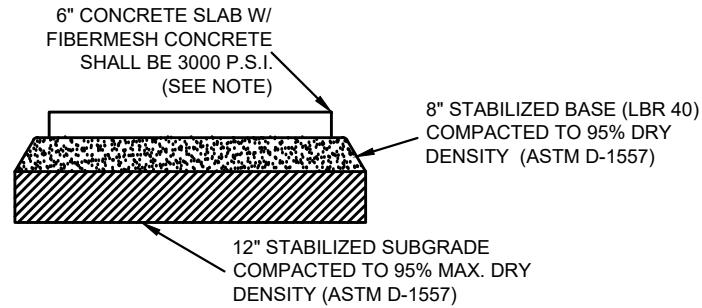






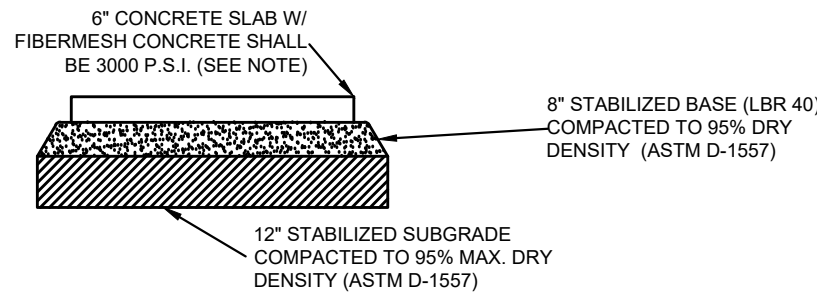
\\\sca\p\1\1071035.dwg, Title: Details - Bus Stop Shelter, \\\sca\p\1\1071035.dwg, CONSTRUCTION DETAILS, Dec 16, 2022, Wmenschelstein  
 PLOT DATE: 12/16/2022 10:43:37 AM, PLOT BY: KHA, PLOT DATE: 12/16/2022 10:43:37 AM, PLOT BY: KHA, PLOT DATE: 12/16/2022 10:43:37 AM, PLOT BY: KHA

This document, together with the concepts and designs presented herein, is an instrument of service, as an instrument of service, is intended only for the specific purpose and client for which it was prepared. Reuse of and improper reliance on this document without written authorization and adaptation by Kimley-Horn and Associates, Inc. shall be without liability to Kimley-Horn and Associates, Inc.



**CONCRETE BOARDING AND ALIGHTING PAD DETAIL**  
N.T.S.

NOTE:  
 FIBERMESH CONCRETE SHALL INCLUDE SYNTHETIC FIBERS AT THE RATE OF THREE (3) POUNDS PER CUBIC YARD FOR THE 3000 PSI MIX, BASED ON A FIBER'S MODULUS OF ELASTICITY OF 1378 KSI. THIS RATE SHALL BE ADJUSTED UP OR DOWN PROPORTIONATE TO THE MODULUS OF ELASTICITY OF THE SELECTED FIBER. SYNTHETIC STRUCTURAL FIBERS SHALL MEET THE REQUIREMENTS OF ASTM C 1116, PARAGRAPH 4.1.3, TYPE III; SHALL BE MONOFILAMENT, MADE OF POLYPROPYLENE OR BLENDED POLYPROPYLENE/POLYETHYLENE; SHALL BE A MINIMUM OF ONE AND ONE-HALF INCHES (1.5") IN LENGTH; AND SHALL HAVE AN ASPECT RATIO (LENGTH/FIBER DIAMETER) BETWEEN 80 AND 100.



**CONCRETE BUS SHELTER PAD DETAIL**  
N.T.S.

NOTE:  
 FIBERMESH CONCRETE SHALL INCLUDE SYNTHETIC FIBERS AT THE RATE OF THREE (3) POUNDS PER CUBIC YARD FOR THE 3000 PSI MIX, BASED ON A FIBER'S MODULUS OF ELASTICITY OF 1378 KSI. THIS RATE SHALL BE ADJUSTED UP OR DOWN PROPORTIONATE TO THE MODULUS OF ELASTICITY OF THE SELECTED FIBER. SYNTHETIC STRUCTURAL FIBERS SHALL MEET THE REQUIREMENTS OF ASTM C 1116, PARAGRAPH 4.1.3, TYPE III; SHALL BE MONOFILAMENT, MADE OF POLYPROPYLENE OR BLENDED POLYPROPYLENE/POLYETHYLENE; SHALL BE A MINIMUM OF ONE AND ONE-HALF INCHES (1.5") IN LENGTH; AND SHALL HAVE AN ASPECT RATIO (LENGTH/FIBER DIAMETER) BETWEEN 80 AND 100.

CALL 2 BUSINESS DAYS BEFORE YOU DIG  
 IT'S THE LAW!  
 DIAL 811  
  
 Know what's below.  
 Call before you dig.  
 SUNSHINE STATE ONE CALL OF FLORIDA, INC.

<b>BUS STOP DESIGN SERVICES</b> PREPARED FOR <b>CITY OF OCALA</b> <small>FLORIDA</small>	<b>CONSTRUCTION DETAILS</b>	KHA PROJECT 142371035	LICENSED PROFESSIONAL <b>MOHAMMED N. MURAD</b> <small>FLORIDA LICENSE NUMBER 91243</small>	© 2022 KIMLEY-HORN AND ASSOCIATES, INC. 1700 BE 17TH STREET, SUITE 200, OCALA, FLORIDA 34471 WWW.KIMLEY-HORN.COM PHONE: 352-438-3000 REGISTRY NO. 35108
		DATE DECEMBER 2022	SCALE AS SHOWN	
DESIGNED BY KHA	DRAWN BY KHA	CHECKED BY MNM	DATE	REVISIONS
SHEET NUMBER <b>C005</b>	NOT FOR CONSTRUCTION	No.	DATE	BY